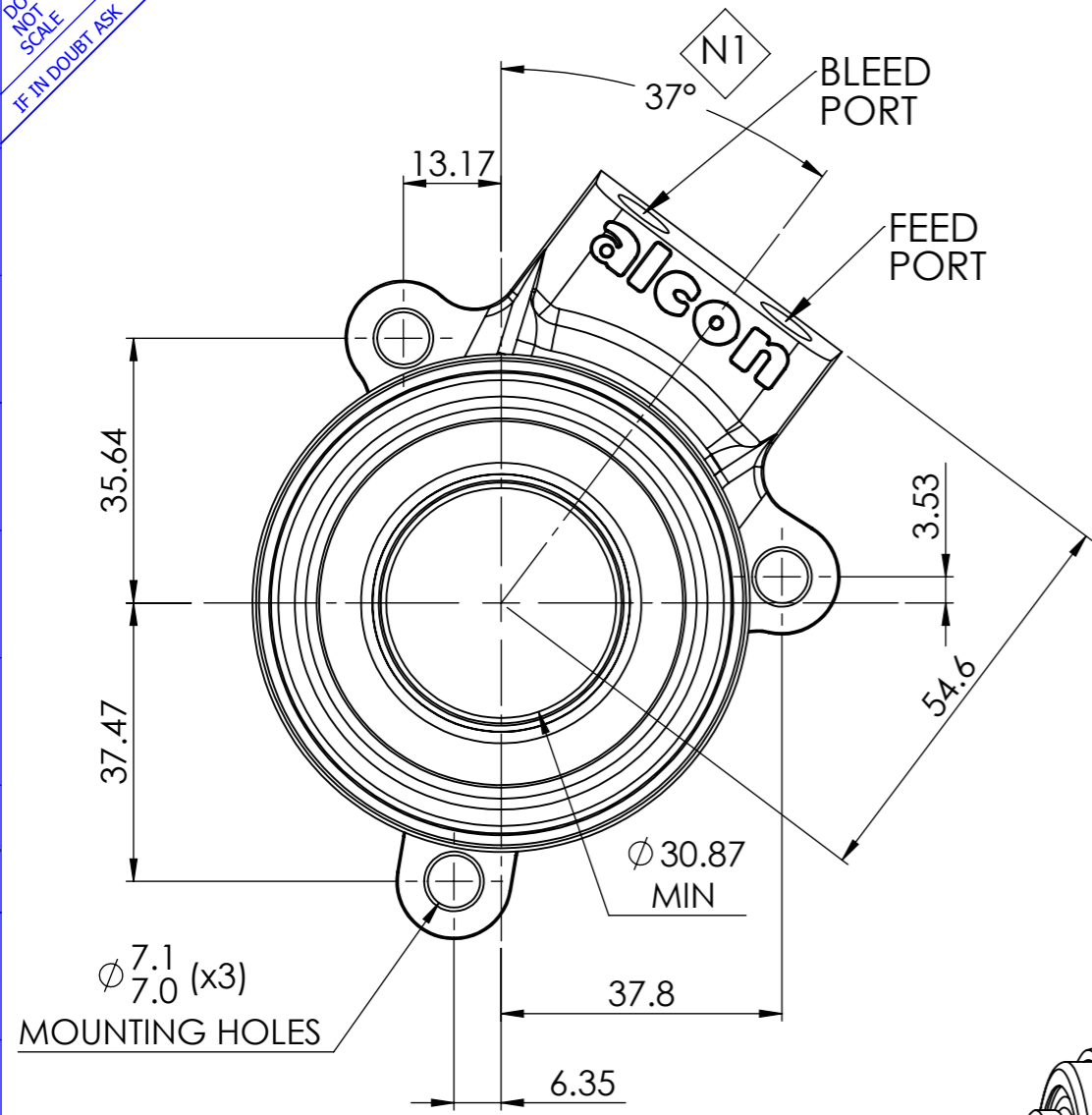
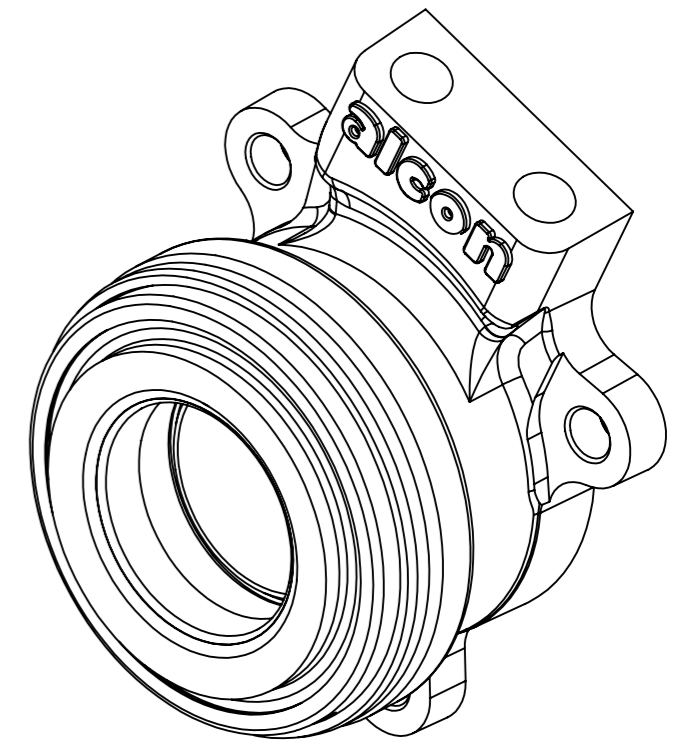
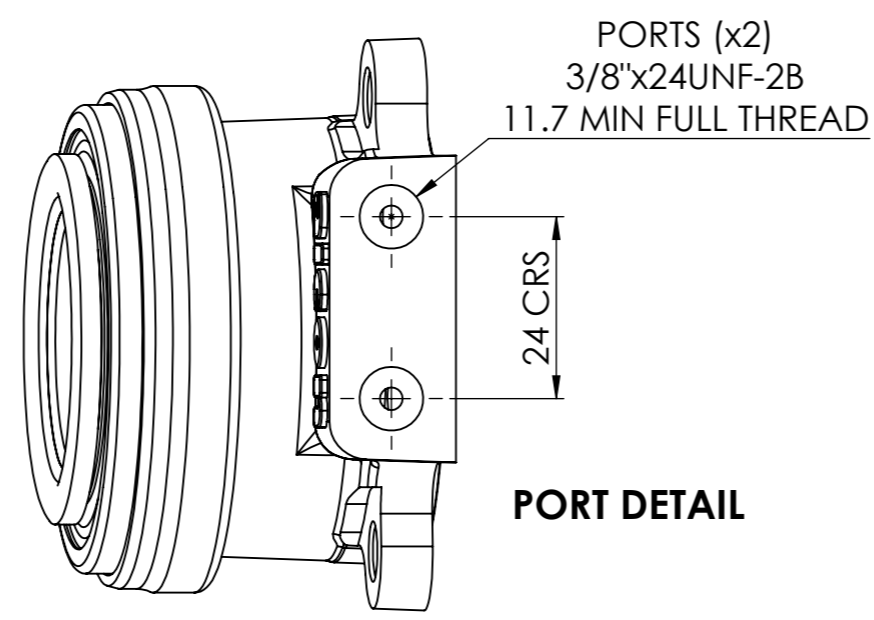
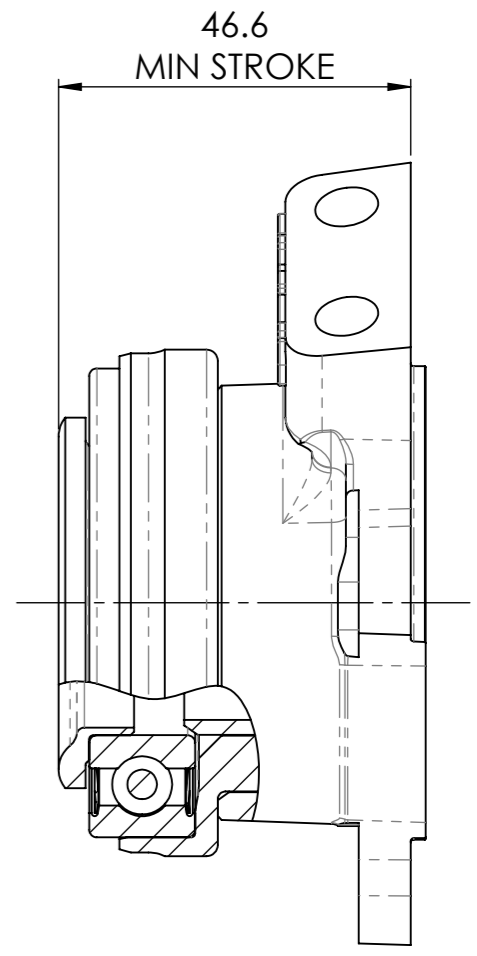
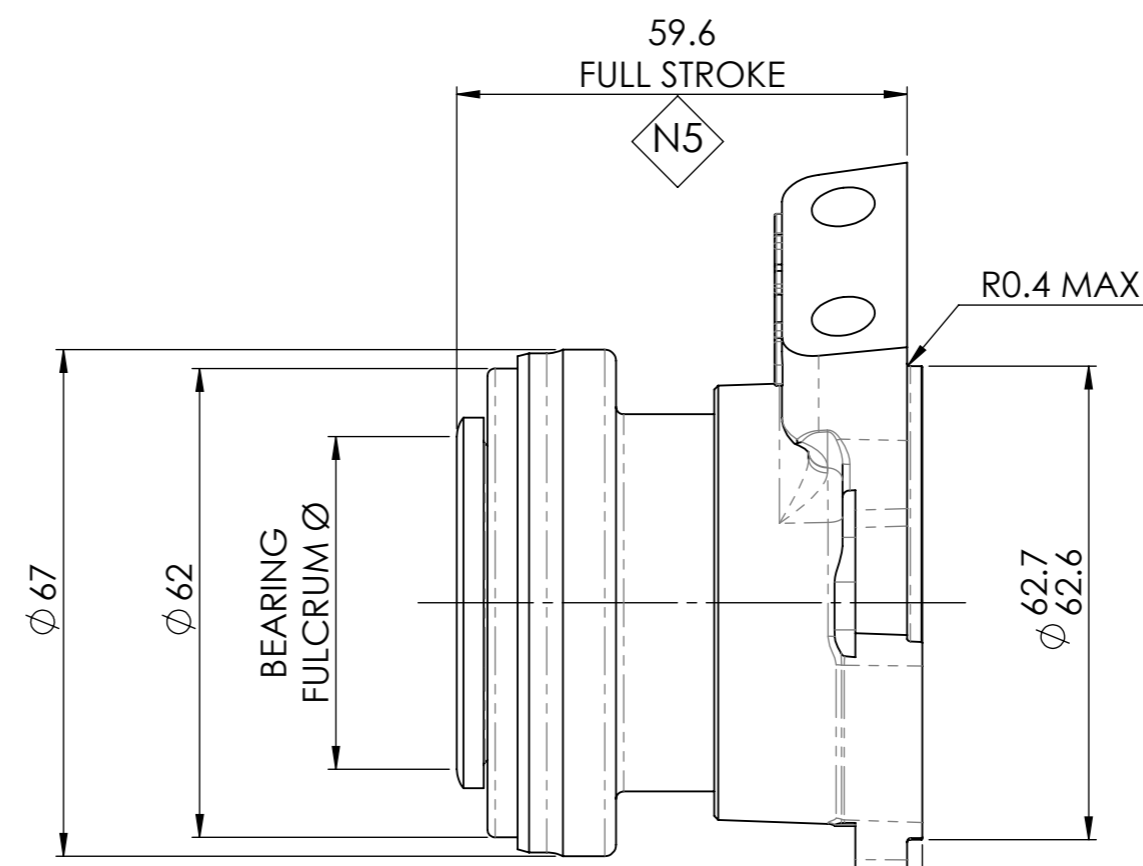


DO NOT SCALE  
IF IN DOUBT ASK



**MOUNTING DETAIL**



NOTES:  
 N1 THIS UNIT MUST BE INSTALLED WITH THE BLEED PORT UPPERMOST, i.e. AT THE 37° ANGLE SPECIFIED.  
 N2 EFFECTIVE AREA: 992mm<sup>2</sup> (1.537in<sup>2</sup>)  
 N3 MAX OPERATING PRESSURE: 70bar (1015psi)  
 N4 OPERATING TEMPERATURE RANGE: -40°C TO 120°C  
 N5 THE DIMENSION GIVEN IS THE MAXIMUM ALLOWABLE PROTRUSION OF THE PISTON. THIS DIMENSION MUST NOT BE EXCEEDED. AVAILABLE STROKE: 13mm NOMINAL.  
 N6 HYDRAULIC FLUID: DOT4 OR OTHER NON-SILICON OR MINERAL OIL BASED FLUID.  
 N7 ASSEMBLY MASS: 390g ( $\phi 44$  FULCRUM)  
 N8 REPLACEMENT PARTS: BEARING ASSEMBLY (SEE TABLE)  
 SEAL KIT - SSK5035E601

| PART No.     | BEARING FULCRUM $\phi$ | STROKE mm | REPLACEMENT BEARING ASSEMBLY |
|--------------|------------------------|-----------|------------------------------|
| KSA3813FX010 | 38                     | 13        | KRB3835X010A                 |
| KSA4413FX010 | 44                     | 13        | KRB4435X010A                 |
| KSA5213FX010 | 52                     | 13        | KRB5235X010A                 |

| Issue   | Change      | LOC | DRN BY / Date | CHK BY / DATE | APP BY / Date |
|---|-------------|-----|---------------|---------------|---------------|
| A   | FIRST ISSUE |     |               |               |               |
| ALCON COMPONENTS LIMITED<br>APOLLO TAYWORTH STAFFORDSHIRE B79 7TN<br>TEL: +44(0)1827 72700<br><b>alcon</b> engineering your advantage   |             |     |               |               |               |
| THIS DRAWING AND INFORMATION THEREUPON IS THE PROPERTY OF ALCON COMPONENTS LTD. IT IS LENT ON THE CONDITION THAT IN WHOLE OR IN PART SHALL NOT BE REPRODUCED, COPIED, LENT OR DISCLOSED TO ANY PERSON WITHOUT WRITTEN CONSENT OF ALCON AND SHALL BE RETURNED TO ALCON COMPONENTS LTD. |             |     |               |               |               |
| <b>CONCENTRIC SLAVE CYLINDER INSTALLATION DRAWING</b><br>KSA**13FX010-INST <b>A</b> 1 of 1 A3   |             |     |               |               |               |