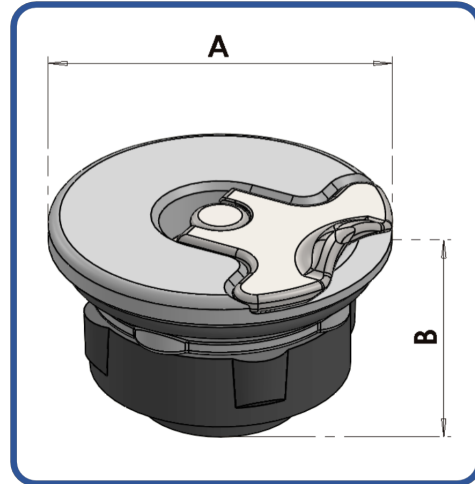




Aero 200

Aero 200 Fuel Filler Cap Non-Locking Silver. Part Number: CA-AA-001 (A2S)



Options:

Part Description

Aero 200 Black Cap, Non-Vent, Non-Locking with 6 Hole Flange:

Part Number

CA-AA-002 (A2SB)

Specifications:

Fixing Arrangement:

Applications:

Compatibilities:

Finish:

Weight:

Supplied With:

Designed Flange and Neck Adaptors

Fuel, Oil & Water Tanks

Compatible with Add Blue

Operation Temperature -40°C to +80°C

Anodised

65.0 grams

N/A

Materials:

Centre Cap:

O-Ring:

Saddle:

Lever & Centre Pin:

Washer & Nyloc Nut:

Aluminium Alloy 6082/T6 Forging

Viton A (FPM or FKM)

Acetal POM Kepital F20-03

Stainless Steel 303/304

Stainless Steel A2 Type

Dimensions:

Diameter A:

Width B:

47.0mm

28.2mm (Adjustable)

Optional('s):

Lanyard

Flange & Flange Necks

Metal Saddle

Hard Anodising

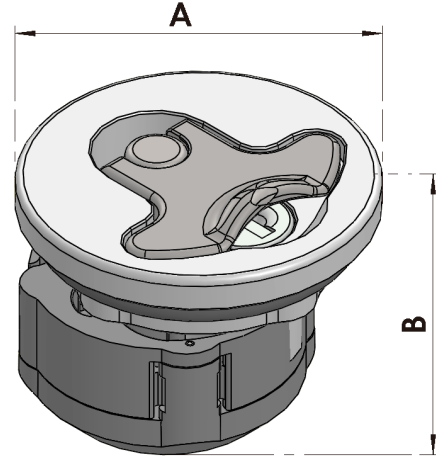
Fluid Containment – When It Matters

Tell: +4420 8594 7990 / Fax: +4420 8594 7989 / www.newton-equipment.com / info@newton-equipment.com

Registered in England. 6 Orwell Close/ Fairview Ind. Park/ Rainham/ Essex/ RM13 8UB

Aero 200

Aero 200 Fuel Filler Cap, Non-Vented Locking Silver. Part Number: CA-AA-128 (A2SL)



Options:

Part Description

Aero 200 Fuel Filler Cap, Non-Vented, Locking, Black

Part Number

CA-AA-131 (A2LB)

Specifications:

Fixing Arrangement:

Applications:

Compatibilities:

Finish:

Weight:

Supplied With:

Designed Flange and Neck Adaptors
Fuel, Oil & Water Tanks
Compatible with Add Blue
Operation Temperature -40°C to +80°C
Anodised
69.0 grams
N/A

Materials:

Centre Cap:

O-Ring:

Saddle:

Lever & Centre Pin:

Washer & Nyloc Nut:

Aluminium Alloy 6082/T6 Forging
Viton A (FPM or FKM)
Acetal POM Kepital F20-03
Stainless Steel 303/304
Stainless Steel A2 Type

Dimensions:

Diameter A:

Width B:

47.0mm
36.0mm (Adjustable)

Optional('s):

Lanyard
Flange & Flange Necks
Metal Saddle
Hard Anodising

Fluid Containment – When It Matters