

1, 2, & 3-plate OT-II 7.25"



Clutch Size: **7.25" (185 mm)**
 Available Disc Count: **1, 2, & 3-Plate**
 Total Weight: **See Table**
 P/N: **See Table**

Typical Applications

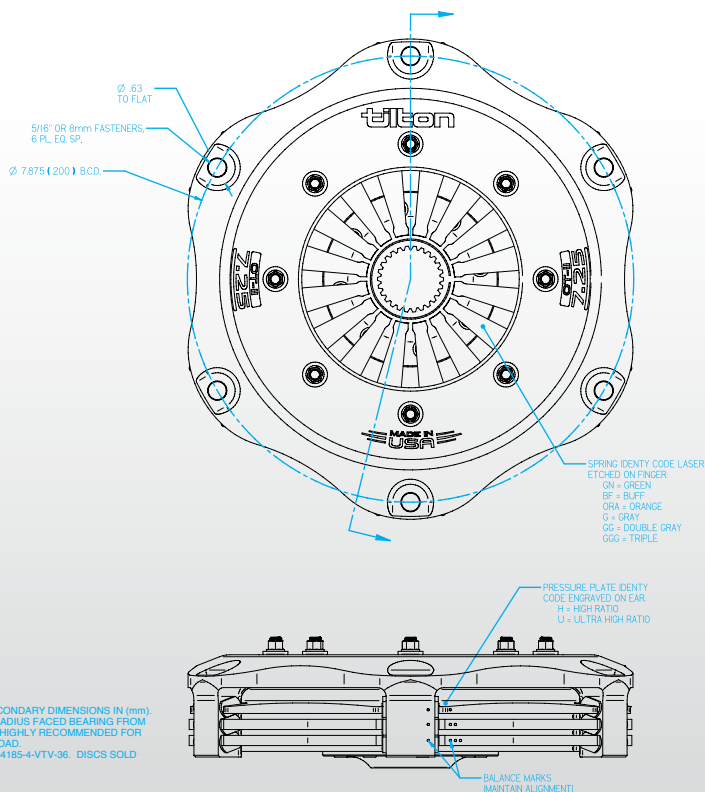
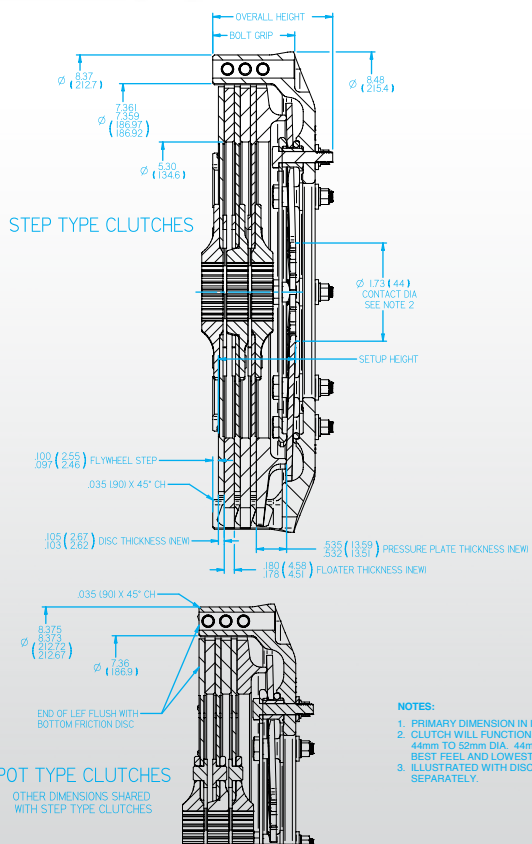
- Road Racing
- Circle Track
- Open Wheel/Formula



Six diaphragm spring rate options offer a wide range of torque capacities and release loads to tune the clutch for the application.



Two pressure plate ratio options offer different torque capacity and modulation characteristics.



- NOTES:**
1. PRIMARY DIMENSION IN INCHES. SECONDARY DIMENSIONS IN (mm).
 2. CLUTCH WILL FUNCTION WITH ANY RADIUS FACED BEARING FROM 44mm TO 52mm DIA. 44mm BEARING HIGHLY RECOMMENDED FOR BEST FEEL AND LOWEST RELEASE LOAD.
 3. ILLUSTRATED WITH DISC PACK P/N: 64185-4-VTV-36. DISCS SOLD SEPARATELY.

CLUTCH P/N	# OF DISCS	FLYWHEEL MOUNTING	SETUP HEIGHT (NEW)	SETUP HEIGHT (WORN)	BOLT GRIP	OVERALL HEIGHT
66-001	1	STEP	81 (20.6)	96 (24.4)	880 (22.35)	155 (39.4)
66-002	2	STEP	109 (27.7)	124 (31.5)	1159 (29.44)	183 (46.5)
66-012	2	POT	109 (27.7)	124 (31.5)	1059 (26.90)	173 (43.9)
66-003	3	STEP	137 (34.8)	152 (38.6)	1442 (36.63)	211 (53.6)
66-013	3	POT	137 (34.8)	152 (38.6)	1342 (34.08)	201 (51.1)
66-004	4	STEP	165 (41.9)	178 (44.7)	1725 (43.82)	239 (60.7)
66-014	4	POT	165 (41.9)	178 (44.7)	1625 (42.28)	229 (58.2)

Detailed Clutch Information

Clutch assemblies include clutch cover with diaphragm spring, pressure plate and floater plate(s).

	Torque Capacity <i>(lb-ft/Nm)</i>	Release Load* <i>(lb/daN)</i>	Weight** <i>(lbs/kg)</i>	M.O.I.** <i>(lb-in²/kg-m²)</i>	Pressure Plate <i>(ratio)</i>	Part Numbers
1-plate	200/272	400/180	5.1/2.3	44.1/0130	High	66-001HW
	240/326	400/180	5.1/2.3	44.1/0130	Ultra-high	66-001UW
	240/326	480/211	5.1/2.3	44.1/0130	High	66-001HBF
	285/388	480/211	5.1/2.3	44.1/0130	Ultra-high	66-001UBF
	280/381	560/247	5.1/2.3	44.1/0130	High	66-001HORA
	335/456	560/247	5.1/2.3	44.1/0130	Ultra-high	66-001UORA
	340/462	680/299	5.1/2.3	44.1/0130	High	66-001HG
	410/558	680/299	5.1/2.3	44.1/0130	Ultra-high	66-001UG
	380/517	760/334	5.1/2.3	44.1/0130	High	66-001HGG
	455/619	760/334	5.1/2.3	44.1/0130	Ultra-high	66-001UGG
	415/564	800/352	5.1/2.3	44.1/0130	High	66-001HGGG
2-plate	400/544	400/180	7.5/3.4	66.3/0195	High	66-002HW
	480/652	400/180	7.5/3.4	66.3/0195	Ultra-high	66-002UW
	480/652	480/211	7.5/3.4	66.3/0195	High	66-002HBF
	570/775	480/211	7.5/3.4	66.3/0195	Ultra-high	66-002UBF
	560/762	560/247	7.5/3.4	66.3/0195	High	66-002HORA
	670/911	560/247	7.5/3.4	66.3/0195	Ultra-high	66-002UORA
	680/925	680/299	7.5/3.4	66.3/0195	High	66-002HG
	820/1115	680/299	7.5/3.4	66.3/0195	Ultra-high	66-002UG
	760/1034	760/334	7.5/3.4	66.3/0195	High	66-002HGG
	910/1238	760/334	7.5/3.4	66.3/0195	Ultra-high	66-002UGG
	830/1129	800/352	7.5/3.4	66.3/0195	High	66-002HGGG
3-plate	720/979	480/211	9.9/4.5	87.6/0258	High	66-003HBF
	855/1163	480/211	9.9/4.5	87.6/0258	Ultra-high	66-003UBF
	840/1142	560/247	9.9/4.5	87.6/0258	High	66-003HORA
	1005/1367	560/247	9.9/4.5	87.6/0258	Ultra-high	66-003UORA
	1020/1387	680/299	9.9/4.5	87.6/0258	High	66-003HG
	1230/1673	680/299	9.9/4.5	87.6/0258	Ultra-high	66-003UG
	1140/1550	760/328	9.9/4.5	87.6/0258	High	66-003HGG
	1365/1856	760/328	9.9/4.5	87.6/0258	Ultra-high	66-003UGG
	1245/1693	800/330	9.9/4.5	87.6/0258	High	66-003HGGG

Note: Unless noted, clutches listed are for use with "step-type" flywheels that have a .100" step for the friction surface.

Clutches are also available for "pot-type" (no step) flywheels. Contact Tilton for further information.

* Values listed are typical for release bearings with the recommended 44mm contact diameter. Larger contact diameters will increase release load.

** Weight and M.O.I. includes disc(s).

Service Parts

Pressure Plates	Part Numbers
7.25", high ratio	66-118HR
7.25", ultra-high ratio	66-118UHR
Floater Plate	Part Number
7.25", standard	66-119